



EWH5100

**Garage & Utility
Electric Heater**

Installation Instructions and Operator's Manual

WARNING: IF THE INFORMATION IN THIS MANUAL IS NOT FOLLOWED EXACTLY, A FIRE MAY RESULT CAUSING PROPERTY DAMAGE, PERSONAL INJURY OR LOSS OF LIFE.



DURA HEAT PHONE NUMBER:
(800) 776-9425
<http://www.worldmktng.com>

World Marketing of
America PO Box 192
Mill Creek, PA 16652

**FOR YOUR SAFETY
DO NOT STORE
OR USE GASOLINE OR
OTHER FLAMMABLE VAPORS
OR LIQUIDS
IN THE VICINITY OF THIS OR
ANY OTHER APPLIANCE**

This heater should be installed by qualified persons only and in accordance with the National Electric Code (Canadian Electrical Code in Canada) and all applicable local codes. Supply wiring must be copper and suitable for at least 75° C.

EWH5100- câblage de type cuivre SJO ou SJTO de calibre minimum 10 requis jusqu'à 105'



This product contains chemicals including di(2-ethylhexyl) phthalate (DEHP), which is known to the State of California to cause cancer and birth defects or other reproductive harm. For more information go to: www.P65Warnings.ca.gov

**UL 2021. FIXED AND LOCATION –DEDICATED ELECTRIC ROOM HEATERS
DO NOT DISCARD THIS MANUAL
CUSTOMER: PLEASE RETAIN THIS MANUAL FOR FUTURE USE**

IMPORTANT INSTRUCTIONS

When using electrical appliances, basic precautions should always be followed to reduce the risk of fire, electric shock, injury to persons, and hyperthermia, including the following:

- 1) Read all instructions before using this heater.
- 2) This heater is hot when in use. To avoid burns, **DO NOT** let bare skin touch hot surfaces. If provided, use handles when moving this heater. Keep combustible materials, such as furniture, pillows, bedding, papers, clothes, and curtains at least 3 feet (0.9m) from the front of the heater and keep them away from the sides and rear.
- 3) Extreme caution is necessary when any heater is used by or near children or invalids and whenever the heater is left operating and unattended.
- 4) **ALWAYS** unplug heater when not in use. (This item may be omitted if the heater is provided with a clock-operated switch).
- 5) **DO NOT** operate any heater with a damaged cord or plug or after the heater malfunctions, has been dropped or damaged in any manner. Discard heater or return to authorized service facility for examination and/or repair.
- 6) **DO NOT** use outdoors. (Omitted if the heater is intended for outdoor use.)
- 7) This heater is not intended for use in bathrooms, laundry areas and similar indoor locations. **NEVER** locate heater where it may fall into a bathtub or other water container.
- 8) **DO NOT** run cord under carpeting. **DO NOT** cover cord with throw rugs, runners, or similar coverings. **DO NOT** route cord under furniture or appliances. Arrange cord away from traffic area and where it will not be tripped over.
- 9) To disconnect heater, turn controls to off, then remove plug from outlet.
- 10) Connect to properly grounded outlets only. (This item may be omitted if the heater is not provided with a grounding type attachment plug.)
- 11) **DO NOT** insert or allow foreign objects to enter any ventilation or exhaust opening as this may cause an electric shock or fire or damage the heater.
- 12) To prevent a possible fire, **DO NOT** block air intakes or exhaust in any manner. **DO NOT** use on soft surfaces, like a bed, where openings may become blocked.
- 13) A heater has hot and arcing or sparking parts inside. **DO NOT** use it in areas where gasoline, paint, or flammable liquids are used or stored.
- 14) Use this heater only as described in this manual. Any other use not recommended by the manufacturer may cause fire, electric shock, or injury to persons.
- 15) Always plug heaters directly into a wall outlet/receptacle. **NEVER** use with an extension cord or relocatable power tap (outlet/power strip).
- 16) This heater may include an audible (a visual) alarm to warn that parts of the heater are getting excessively hot. If the alarm sounds (flashes), immediately turn the heater off and inspect for any objects on or adjacent to the heater that may cause high temperatures. **DO NOT OPERATE THE HEATER WITH THE ALARM SOUNDING (FLASHING).**
- 17) Any repairs to this appliance should be carried out by a qualified service person.
- 18) Under no circumstances should this appliance be modified. Parts having to be removed for servicing must be replaced prior to operating this appliance again.
- 19) **DO NOT** use this heater in elevated locations, such as on shelves, raised platforms, etc.
- 20) This appliance, when installed, must be electrically grounded in accordance with local codes, with the current CSA C22.0 Canadian Electrical codes or for USA installations, follow local codes or for USA installations, follow local codes and the National Electric code ANSI/NFPA No. 70.
- 21) Hyperthermia can result in death. Symptoms of hyperthermia include high body temperature, headache, nausea, vomiting, tiredness, dizziness, fainting, and rapid pulse. If you begin to experience symptoms related to hyperthermia, turn off the heater and seek medical attention.
- 22) To avoid excessive room temperatures which can cause hyperthermia: **DO NOT** leave product running unattended in a confined space around infants, or individuals with reduced physical, sensory, or mental capabilities.

"SAVE THESE INSTRUCTIONS"

GENERAL SAFETY INFORMATION:

WARNING-Read and understand installation and operation instructions and observe all safety instructions

SAVE THESE INSTRUCTIONS

1. For supply connections, use only copper wire, see **SPECIFICATIONS**
2. Heater air flow must be directed parallel to, or away from adjacent wall.
3. Observe wall, floor, and ceiling clearance requirements, see **Figure.1**.
4. All wiring must conform to national and local electrical codes in the United States and the heater must be grounded as a precaution against possible electrical shock. Heater circuits must be protected with proper fuses or circuit breakers.
5. The mounting structure and the anchoring hardware must be capable of reliably supporting the weight of the heater and, if used, the mounting bracket.
6. All electrical power must be disconnected, and the main service box must be locked before inspection, cleaning or servicing the heater. This is a precaution to prevent serious shock.
7. This heater is not suitable for use in hazardous locations as defined by the National Fire Protection Association (NFPA) in the United States. This heater has hot and arcing (sparking) parts inside. Do not use in
8. This heater is not suitable for use in corrosive atmosphere such as marine, greenhouses or chemical storage areas where gasoline, paint, or flammable liquids are used or stored.
9. Do not install closer than **8 inches** to a vertical surface. Do not install less than **6 feet** from the floor.
10. Extreme caution is necessary when any heater is used by or near children or invalids and whenever the heater is left operating and unattended.
11. Use this heater only as described in this manual. Any other use not recommended by the manufacturer may cause fire, electric shock, or injury to persons.

WARNING-Improper installation or failure to follow the procedures outlined in this instruction manual can result in serious electrical shock.

READ & SAVE THESE INSTRUCTIONS

WARNING: SHOCK HAZARD

Use your heater only in dry environments. This heater is not intended for use in a bathroom, laundry area, or similar locations, or near sinks, washing machines, swimming pools or other sources of water. Never locate heater where it may fall into a bathtub or other water container. Do not use heater outdoors. Do not use in damp environments such as flooded basements.

WARNING: HOT SURFACES

Do not touch body of heater when in use. This heater is hot when in use, to avoid burns, do not let bare skin touch hot surfaces. If provided, use handles when moving this heater.

WARNING: FIRE HAZARD

Heater has hot and arcing or sparking parts inside. Do not use near combustible materials or flammable gases or sources of heat. **DO NOT USE** in areas where gasoline, paint or flammable materials are used or stored. Keep combustible materials such as furniture, pillows, bedding, papers, clothes and curtains at least 3 feet (0.9 m) from the front of the heater and keep them away from the sides and rear. Keep rear grille away from walls or drapes so as to not block air intake. To prevent a possible fire, do not block air intakes or exhaust in any manner. Do not use on soft surfaces, like a bed, where openings may become blocked. Do not insert or allow foreign objects to enter any ventilation or exhaust opening as this may cause an electric shock, fire, or damage the heater

WARNING: ELECTRICAL SHOCK HAZARD

Do not use with damaged wiring. Use with adequate electrical system that is up to code.

PET OWNERS NOTE: The health of birds and some small pets are extremely sensitive to the fumes given off during the initial use of many appliances. Although these fumes are not harmful to humans, it is recommended that this heater not be used around birds and small pets during its initial use until the manufacturing corrosion coatings burn off.

Do not operate any heater with a damaged cord or plug or after heater malfunctions, has been dropped or damaged in any manner. Do not operate heater with a broken heating element or ceramic cone or any visual imperfections.

INTENDED USE:

Electric Utility heaters are designed to meet a variety of heating requirements. This product is intended for indoor use only. Use only with electrical wiring that is in good working order and that meets applicable codes and ordinances.

If you have any questions whether your wiring is adequate, consult a qualified electrician. Risk of fire, overheating, malfunction, property damage, injury or even death may result if not adhered to.

Use your heater-fan only with a working smoke detector located in the vicinity of your heater-fan.

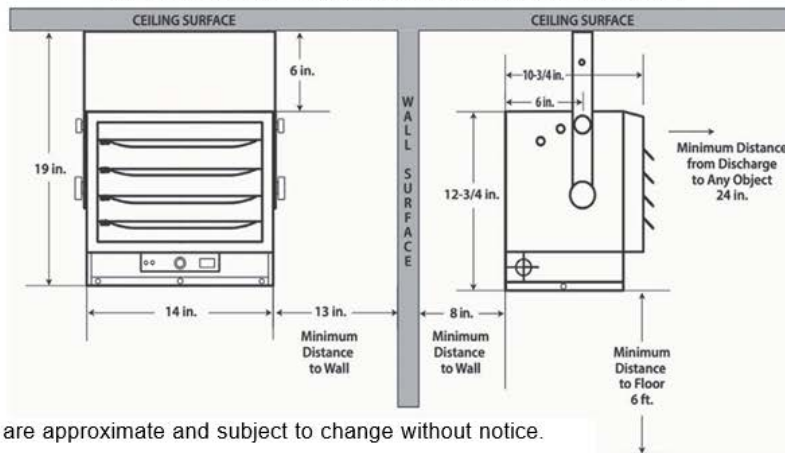
While using your heater-fan, you should follow the IMPORTANT INSTRUCTIONS listed below. As part of those instructions, we have used the word "**WARNING**" to indicate the level of hazard: **WARNING** indicates a hazard which, if not avoided, could result in injury or death.

SPECIFICATIONS:

EWH5100 HEAVY DUTY 5,000W ELECTRIC UTILITY HEATER					
WATTS	SWITCH POSITION	VOLTS (VAC)	PHASE	AMPS	BTU/HOUR
5,000W	III	208-240V, 60Hz	1	20.8	17,060
4,000W	II	208-240V, 60Hz	1	16.7	13,650
3,000W	I	208-240V, 60Hz	1	12.5	10,240
N/A	FAN ONLY	N/A	N/A	N/A	N/A
AIR THROW	HORIZONTAL	18 FT (APPROXIMATE)			
RECOMMENDED	CIRCUIT BREAKER	30 AMP	or larger , in accordance with NEC and local codes.		
RECOMMENDED	WIRE SIZE	10 AWG, COPPER ONLY RATED AT 167°F/75°C	or larger , hardwired in accordance with NEC and local codes.		
RECOMMENDED LUG TORQUES		35IN-LBS	or greater , in accordance with NEC and local codes		
PRODUCT WEIGHT (APPROXIMATE)		BETWEEN 25 TO 30 LBS			

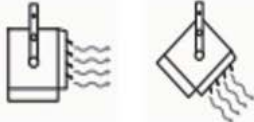
FOR EWH5100**Figure 1**

Note: Diagram is not Drawn to Scale, for information purposes only.



WARNING

FOR INDOOR USE ONLY, IN A DRY LOCATION FREE OF GASOLINE, PAINT, FLAMMABLE LIQUIDS OR COMBUSTIBLE DUST OR MATERIALS.
DO NOT USE EXTENSION CORDS

MAXIMUM MOUNTING HEIGHT USING BRACKET FOR:	
HORIZONTAL/ANGLED AIR FLOW: The maximum recommended ceiling height for effective vertical air flow is 8 ft.	

INSTALLING THE HEATER:

LOCATING THE HEATER:

Install the heater out of traffic areas, maintaining the clearances stated in **Figure 1** above. The air flow from the heater must not be restricted or obstructed by any items in the room. When more than one heater is used in an area, the heaters should be arranged so that the air discharge of each heater supports the air flow of the others to provide best circulation of warm air, as indicated below in **Figure 3**.

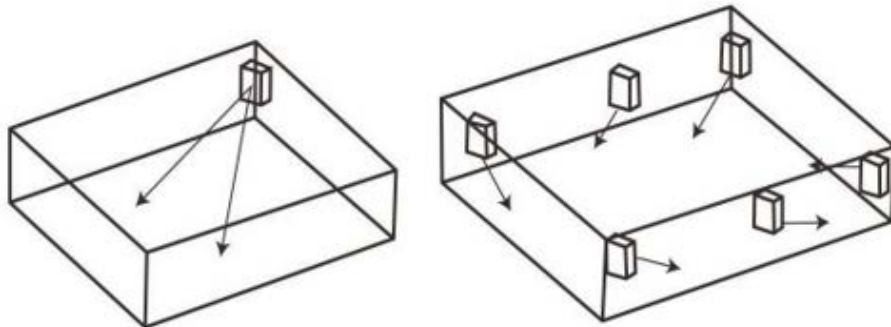


Figure 3

MOUNTING BRACKET INSTALLATION

Refer to **Figure 4a and 4b**.

1. Locate a ceiling joist or other firm structural element or support to mount the heater and point at desired direction of air flow.
2. Drill a 1/4" pilot hole in the ceiling joist for the screw(s).
3. Place the screw(s) and washers as shown in the Figures **4a or 4b**.

Figure 4a: For Single-Screw Mounting (center bracket hole only).

(If you want to swivel the heater, a longer Lag bolt may be required to properly secure the heater, not included).

Figure 4b: For Double-Screw Mounting (both off-center holes are used).

4. Tighten the screws to secure the heater.

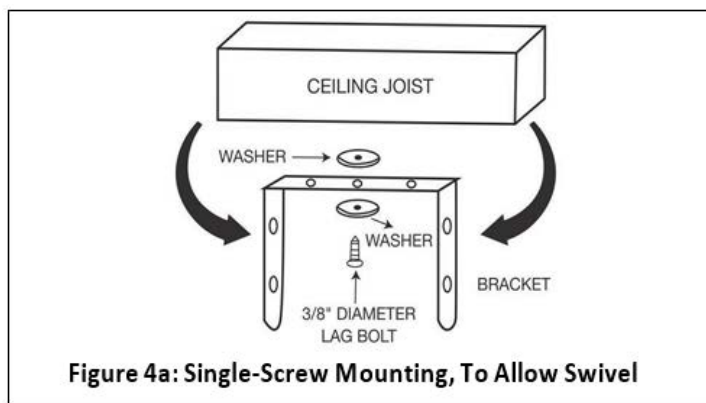


Figure 4a: Single-Screw Mounting, To Allow Swivel

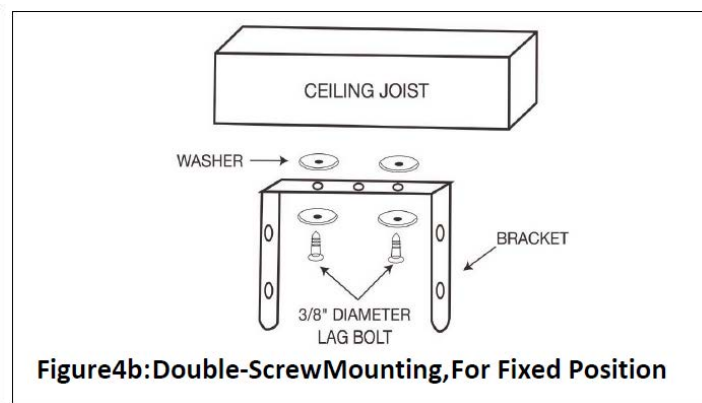


Figure 4b: Double-Screw Mounting, For Fixed Position

HANGING THE HEATER IN THE BRACKET

1. Lift the heater into the mounting bracket and align the lower bracket holes with the threaded holes.
2. Thread a large knob-screw through the hole on each side of the bracket.
3. Aim the heater horizontally or tilted by aligning the upper bracket holes with the top threaded holes on the heater and secure with the small knob-screws and tighten all. See **Figure 5**.

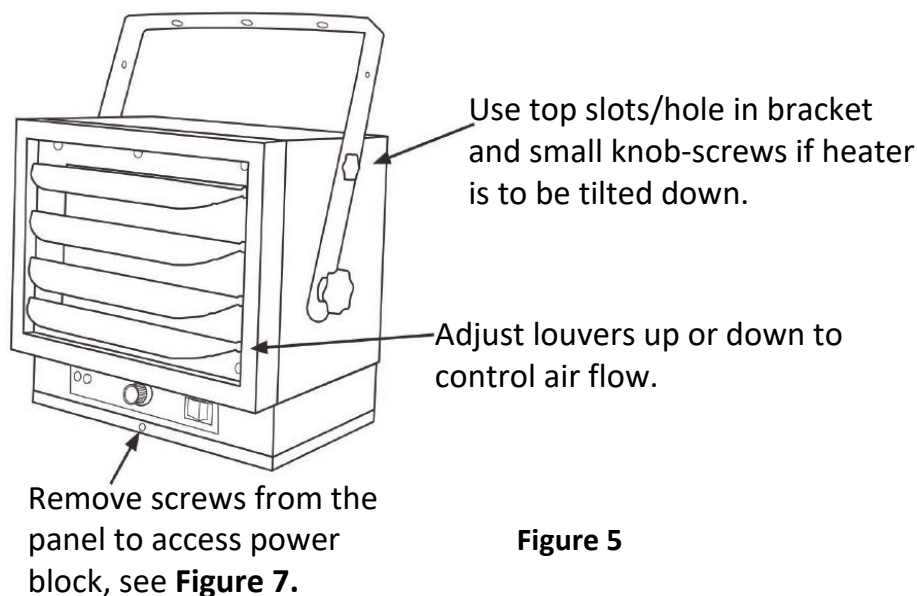


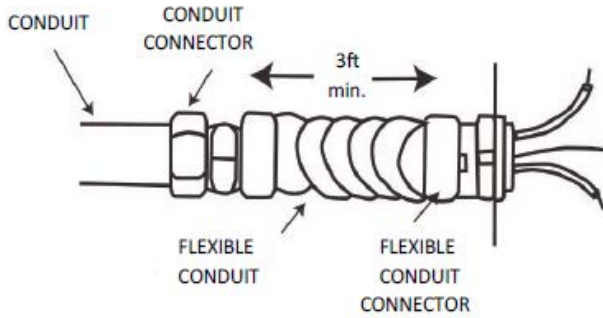
Figure 5

CONNECTING THE POWER:

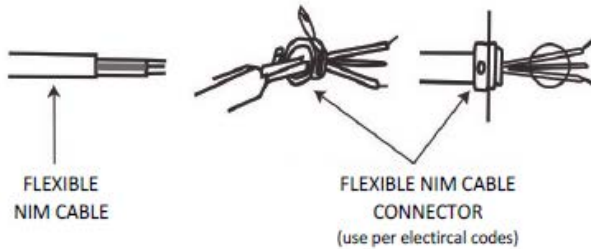
1. With the power off at the breaker, remove all screws from the bottom lid for access to the electrical section of the heater.
2. Attach flexible cable through a knock-out in the side of the heater following NEC and local codes, See **Figure 6** and **SPECIFICATIONS** for recommended wiring and circuit breakers.

NOTE: For certain applications, conduit may be required (**See Figure 6**). Check local electrical codes. If you run the wiring in conduit and wish to be able to turn the heater be sure to purchase enough flexible conduit to allow the heater to be turned.

If Heater is to be turned and wire is inside conduit.



If Heater is to be connected with NM Cable.



If Heater is to be connected with Flexible Conduit.

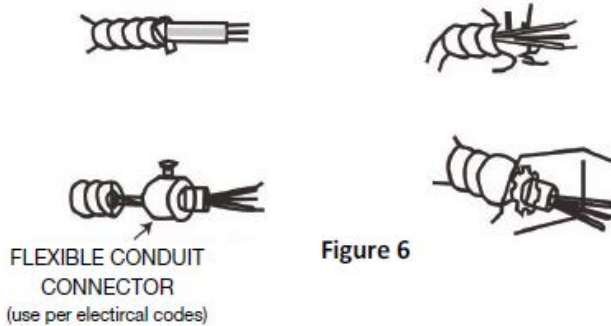


Figure 6

3. Pull enough wire into the heater and connect to wire to the Power Block located in the electrical area of the heater, **See Figure 7.**
4. Be sure to torque all terminal screws and power block lugs tight, see **SPECIFICATIONS** and NEC/local codes, for required torque values, failure to do so can overheat the power blocks.
5. Turn on power at the main circuit breaker panel. Notice the **YELLOW Power Indicator Light** on the Control Panel will glow.

WARNING: It is advised that at the start of each heater season, the power should be turned off at the circuit breaker and the L1 & L2 Plug screws checked for tightness and proper torque. The heater should be cleaned and checked for mechanical and electrical integrity. See **SPECIFICATIONS** and **NEC/local codes.**

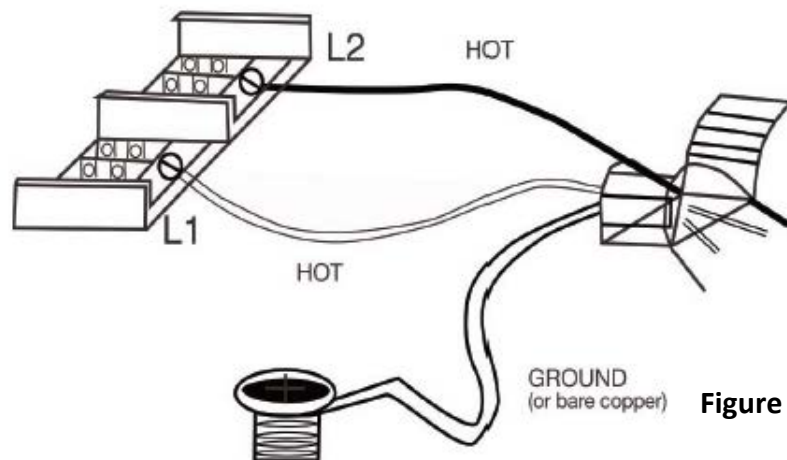
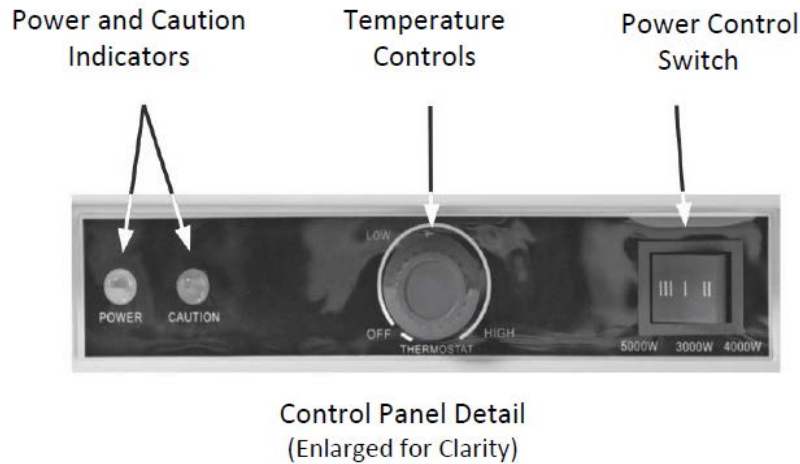


Figure 7

**Series Model: EWH5100
HEAVY DUTY 5,000W
ELECTRIC UTILITY HEATER**

Figure 2



POWER INDICATOR LIGHT:

Once installed and the breaker is turned ON, the YELLOW Power Indicator Light will glow. This light stays on as long as power is on at the breaker, **even when the heater is off.**

SETTING THE THERMOSTAT:

Press the TIMER Button continuously until the LED screen displays "O".

1. From "OFF" rotate the knob clockwise to a higher position.
2. Pick the desired power level (I, II or III) at the Control Switch.
3. Once the room reaches the desired comfort level, rotate the thermostat knob counter-clockwise until it clicks off.

CAUTION LIGHT:

The heater has a Thermal Cutout Switch. If there is an overheat situation this switch will shut off the heater.

Once this happens the **RED** Caution Light will glow, indicating an overheat condition.

Turn off the heater. Turn off power at the circuit breaker and let the heater cooldown.

Determine the cause of the overheat situation and correct. Once cool, restore power to the heater at the breaker and resume operation of the heater.

NOTE: Heater will cycle on and off to maintain room temperature.

The first time you operate the unit, it may smoke slightly. This is due to residual cleaning agents used to clean the element when the heater is manufactured. This is normal and does not indicate a problem with the unit. This condition will stop after the heater has been in operation for a few minutes.

ADJUSTING AIR FLOW:

1. **Swivel the unit**-If mounted on a single center lag bolt Figure 4a, turn the entire heater and bracket assembly left or right.
2. **Tilt the unit**-Loosen the top Small Knob-Screws and thread into provided holes in heater until tight.
3. **Adjust the louvers** in front of the heater as desired. **See Figure 5.**

SAFETY INSTRUCTIONS:

To start the heater, turn on the circuit breaker. The Power Indicator light will light up to indicate there is power available. Press the POWER button to turn the heater on. The heater will be in HIGH setting by default. The heater indicator will illuminate, and the LED display will show the default setting temperature 80°F.

1. The heater is HOT when in use. Do not let bare skin touch any hot surfaces.
2. Keep combustible materials (furniture, pillows, bedding, papers, clothes, curtains, and similar items) at least **3feet (0.9m)** from all sides and surfaces of the heater.
3. Do not use outdoors or in wet areas like bathrooms, laundry areas or where it could fall into a swimming pool or other container of water.
4. This heater is a 240V AC rated direct wired appliance. Never use extension cords or relocatable power taps.

CLEANING THE HEATER:

1. Do not disassemble the heater to clean it.
2. The heater should be powered OFF and disconnected from the power at the circuit breaker before attempting to clean any portion of the heater.
3. The exterior can be cleaned with a cloth, brush and/or vacuum.
4. The louvers, fan blade and heating element are delicate and should not encounter hard items. They can be cleaned by brush, vacuum and mild compressed air.

PORTABLE ELECTRIC HEATER WARRANTY

LIMITED WARRANTY:

A limited warranty is extended to the original purchaser of this heater and warrants against malfunction due to manufacturing defects for a period of (1) one year from the date of retail purchase. Please read and follow all details noted below. **To register your product please visit www.worldmkting.com**

CLAIMS HANDLED AS FOLLOWS:

1. WITHIN 30 DAYS OF PURCHASE:
Return to the place of purchase.
2. AFTER 30 DAYS AND WITHIN THE 1 YEAR WARRANTY PERIOD:
CALL 1-800-776-9425 FOR SERVICE (9AM-5PM MON.-FRI.) or EMAIL US AT
techsupport@worldmktng.com

You must have the model number, serial number and date of purchase. They will provide you with further instructions, which will include repair or replacement at our option.

DUTIES OF THE OWNER:

This heating appliance must be operated in accordance with the written instructions furnished with this heater. This warranty shall not excuse the owner from properly maintaining this heater in accordance with the written instructions furnished with this heater. A bill of sale, cancelled check or payment record must be kept to verify purchase date and establish warranty period. Original carton should be kept in case of warranty return of unit.

WHAT IS NOT COVERED:

1. Damage caused by misuse or use contrary to the owner's manual and safety guidelines.
2. Damage caused by a lack of normal maintenance.
3. Repair by an unauthorized person.
4. Damage caused by connection to an improper voltage.
5. Damaged caused by use outdoors.

LIMITATIONS: This warranty does not imply or assume any responsibility for consequential damages that may result from the use, misuse, or the lack of routine maintenance of this heating appliance. A cleaning fee and the cost of parts may be charged for appliance failures resulting from lack of maintenance. This warranty does not cover claims, which do not involve defective workmanship or materials. FAILURE TO PERFORM GENERAL MAINTENANCE (INCLUDING CLEANING) WILL VOID THIS WARRANTY.

THIS LIMITED WARRANTY IS GIVEN TO THE PURCHASER IN LIEU OF ALL OTHER WARRANTIES, EXPRESSED OR IMPLIED, INCLUDING BUT NOT LIMITED TO THE WARRANTIES OF MERCHANTABILITY OF FITNESS FOR A PARTICULAR PURPOSE. THE REMEDY PROVIDED IN THIS WARRANTY IS EXCLUSIVE AND IS GRANTED IN LIEU OF ALL OTHER REMEDIES. IN NO EVENT WILL WORLD MARKETING OF AMERICA BE LIABLE FOR INCIDENTAL OR CONSEQUENTIAL DAMAGES.

Some states do not allow limitations on how long an implied warranty lasts, so the above limitation may not apply to you. Some states do not allow the exclusion or limitation of incidental or consequential damages so the above limitation or exclusion may not apply to you.



EWH5100

Garage et utilitaire
Chauffage électrique

Instructions d'installation et manuel de l'opérateur

AVERTISSEMENT! SI LES INFORMATIONS CONTENUES DANS CE MANUEL NE SONT PAS SUIVIES EXACTEMENT, UN INCENDIE PEUT ENTRAÎNER DES DOMMAGES MATÉRIELS, DES BLESSURES CORPORELLES OU LA PERTE DE LA VIE.



NUMÉRO DE TÉLÉPHONE DE DURA HEAT :v

(800) 776-9425

<http://www.worldmkting.com>

Marketing mondial de Amérique
PO Box 192
Mill Creek, Pennsylvanie 16652

POUR VOTRE SÉCURITÉ

NE PAS CONSERVER
OU UTILISER DE L'ESSENCE OU
AUTRES VAPEURS
INFLAMMABLES
OU LIQUIDES À PROXIMITÉ
DE CE OU
TOUTAUTREAPPAREIL

Ce radiateur doit être installé par des personnes qualifiées uniquement et conformément au Code national de l'électricité (Code canadien de l'électricité au Canada) et à tous les codes locaux applicables. Le câblage d'alimentation doit être en cuivre et adapté à une température d'au moins 75°C.

EWH5100 - câblage de type cuivre SJO ou SJTO minimum de calibre 10 requis



Ce produit contient des produits chimiques, notamment le phtalate de di(2-éthylhexyle) (DEHP), connu de l'État de Californie pour provoquer des cancers, des malformations congénitales ou d'autres problèmes de reproduction. Pour plus d'informations, allez à : www.P65Warnings.ca.gov

UL 2021. FIXES ET EMBLACEMENT – CHAUFFAGES ÉLECTRIQUES DÉDIÉS

NE JETEZ PAS CE MANUEL

CLIENT : VEUILLEZ CONSERVER CE MANUEL POUR UNE UTILISATION FUTURE

INSTRUCTIONS IMPORTANTES

Lors de l'utilisation d'appareils électriques, des précautions de base doivent toujours être suivies pour réduire le risque d'incendie, de choc électrique, de blessures corporelles et d'hyperthermie, notamment les suivantes :

- 1) Lisez toutes les instructions avant d'utiliser ce radiateur.
- 2) Ce radiateur est chaud lorsqu'il est utilisé. Pour éviter les brûlures, **NE laissez PAS** la peau nue toucher des surfaces chaudes. Le cas échéant, utilisez les poignées lorsque vous déplacez ce radiateur. Gardez les matériaux combustibles, tels que les meubles, les oreillers, la literie, les papiers, les vêtements et les rideaux à au moins 3 pieds (0,9 m) de l'avant du radiateur et éloignez-les des côtés et de l'arrière.
- 3) Une extrême prudence est nécessaire lorsqu'un appareil de chauffage est utilisé par ou à proximité d'enfants ou de personnes invalides et chaque fois que l'appareil de chauffage est laissé en fonctionnement et sans surveillance.
- 4) Débranchez **TOUJOURS** le radiateur lorsqu'il n'est pas utilisé. (Cet élément peut être omis si le radiateur est équipé d'un interrupteur à horloge).
- 5) **NE PAS** faire fonctionner un radiateur avec un cordon ou une fiche endommagé ou après un dysfonctionnement du radiateur, il est tombé ou a été endommagé de quelque manière que ce soit. Jetez le radiateur ou retournez-le à un centre de service agréé pour examen et/ou réparation.
- 6) **NE PAS** utiliser à l'extérieur. (Omis si le radiateur est destiné à une utilisation en extérieur.)
- 7) Ce radiateur n'est pas destiné à être utilisé dans les salles de bains, les buanderies et autres lieux intérieurs similaires. **NE JAMAIS** placer le radiateur à un endroit où il pourrait tomber dans une baignoire ou un autre récipient d'eau.
- 8) **NE PAS** faire passer le cordon sous la moquette. **NE couvrez PAS** le cordon avec des tapis, des tapis ou des revêtements similaires. **NE PAS** acheminer le cordon sous les meubles ou les appareils électroménagers. Disposez le cordon loin de la zone de circulation et là où il ne risque pas de trébucher.
- 9) Pour débrancher le radiateur, éteignez les commandes, puis retirez la fiche de la prise.
- 10) Connectez-vous uniquement à des prises correctement mises à la terre. (Cet élément peut être omis si le radiateur n'est pas fourni avec une fiche de fixation de type mise à la terre.)
- 11) **NE PAS** insérer ou laisser des objets étrangers pénétrer dans les ouvertures de ventilation ou d'échappement car cela pourrait provoquer un choc électrique, un incendie ou endommager le radiateur.
- 12) Pour éviter un éventuel incendie, **NE bloquez PAS** les entrées ou les sorties d'air de quelque manière que ce soit. **NE PAS** utiliser sur des surfaces molles, comme un lit, où les ouvertures pourraient être bloquées.
- 13) Un appareil de chauffage contient des pièces chaudes qui produisent des arcs électriques ou des étincelles. **NE l'utilisez PAS** dans des zones où de l'essence, de la peinture ou des liquides inflammables sont utilisés ou stockés.
- 14) Utilisez ce radiateur uniquement comme décrit dans ce manuel. Toute autre utilisation non recommandée par le fabricant peut provoquer un incendie, un choc électrique ou des blessures corporelles.
- 15) Branchez toujours les radiateurs directement dans une prise/prise murale. **NE JAMAIS** utiliser avec une rallonge ou une prise d'alimentation déplaçable (prise/multiprise).
- 16) Ce radiateur peut inclure une alarme sonore (visuelle) pour avertir que des parties du radiateur deviennent excessivement chaudes. Si l'alarme retentit (clignote), éteignez immédiatement le radiateur et inspectez tout objet sur ou à proximité du radiateur susceptible de provoquer des températures élevées. **NE PAS FAIRE FONCTIONNER LE CHAUFFAGE AVEC L'ALARME SONNE (CLIGNOTANT).**
- 17) Toute réparation sur cet appareil doit être effectuée par un personnel de service qualifié.
- 18) Cet appareil ne doit en aucun cas être modifié. Les pièces devant être retirées pour l'entretien doivent être remplacées avant de faire fonctionner à nouveau cet appareil.
- 19) **NE PAS** utiliser ce radiateur dans des endroits élevés, comme sur des étagères, des plates-formes surélevées, etc.
- 20) Cet appareil, une fois installé, doit être mis à la terre conformément aux codes locaux, aux codes électriques canadiens CSA C22.0 en vigueur ou pour les installations aux États-Unis, suivre les codes locaux ou pour les installations aux États-Unis, suivre les codes locaux et le code national de l'électricité ANSI. /NFPA n° 70.
- 21) L'hyperthermie peut entraîner la mort. Les symptômes de l'hyperthermie comprennent une température corporelle élevée, des maux de tête, des nausées, des vomissements, de la fatigue, des étourdissements, des évanouissements et un pouls rapide. Si vous commencez à ressentir des symptômes liés à l'hyperthermie, éteignez le radiateur et consultez un médecin.
- 22) Pour éviter des températures ambiantes excessives pouvant provoquer une hyperthermie : **NE PAS** laisser le produit fonctionner sans surveillance dans un espace confiné à proximité de nourrissons ou de personnes ayant des capacités physiques, sensorielles ou mentales réduites.

"CONSERVEZ CES INSTRUCTIONS"

INFORMATIONS GÉNÉRALES DE SÉCURITÉ :

AVERTISSEMENT - Lisez et comprenez les instructions d'installation et de fonctionnement et respectez toutes les instructions de sécurité.

CONSERVEZ CES INSTRUCTIONS

- 1) Pour les connexions d'alimentation, utilisez uniquement du fil de cuivre, voir **SPÉCIFICATIONS**
- 2) Le flux d'air du radiateur doit être dirigé parallèlement ou loin du mur adjacent.
- 3) Respectez les exigences de dégagement au mur, au sol et au plafond, voir **Figure 1**.
- 4) Tout le câblage doit être conforme aux codes électriques nationaux et locaux aux États-Unis et le radiateur doit être mis à la terre par mesure de précaution contre un éventuel choc électrique. Les circuits de chauffage doivent être protégés par fusibles ou disjoncteurs appropriés.
- 5) La structure de montage et le matériel d'ancrage doivent être capables de supporter de manière fiable le poids de le radiateur et, le cas échéant, le support de montage.
- 6) Toute alimentation électrique doit être coupée et le boîtier de service principal doit être verrouillé avant l'inspection. Nettoyer ou entretenir le radiateur. Il s'agit d'une précaution visant à éviter un choc grave.
- 7) Ce radiateur ne convient pas à une utilisation dans des endroits dangereux tels que définis par la National Fire Protection Association (NFPA) aux États-Unis.
- 8) Ce radiateur contient des pièces chaudes et produisant des arcs électriques (étincelles). Ne pas utiliser dans Ce radiateur ne convient pas à une utilisation dans une atmosphère corrosive telle que la marine, les serres ou le stockage de produits chimiques zones où de l'essence, de la peinture ou des liquides inflammables sont utilisés ou stockés.
- 9) Ne pas installer à moins de **8 pouces** d'une surface verticale. Ne pas installer à moins de **6 pieds** du sol.
- 10) Une extrême prudence est nécessaire lorsqu'un appareil de chauffage est utilisé par ou à proximité d'enfants ou de personnes invalides et chaque fois que le radiateur est laissé en fonctionnement et sans surveillance.
- 11) Utilisez ce radiateur uniquement comme décrit dans ce manuel. Toute autre utilisation non recommandée par le fabricant peut provoquer un incendie, un choc électrique ou des blessures corporelles.

**AVERTISSEMENT - Installation incorrecte ou non-respect des
Les procédures décrites dans ce manuel d'instructions peuvent entraîner de graves chocs
électriques.**

LISEZ ET CONSERVEZ CES INSTRUCTIONS

AVERTISSEMENT : RISQUE DE CHOC

Utilisez votre radiateur uniquement dans des environnements secs. Ce radiateur n'est pas destiné à être utilisé dans une salle de bains, une buanderie ou des endroits similaires, ni à proximité d'éviers, de machines à laver, de piscines ou d'autres sources d'eau. Ne placez jamais le radiateur à un endroit où il pourrait tomber dans une baignoire ou un autre récipient d'eau. N'utilisez pas le radiateur à l'extérieur. Ne pas utiliser dans des environnements humides tels que des sous-sols inondés.

AVERTISSEMENT : SURFACES CHAUDES

Ne touchez pas le corps du radiateur lors de son utilisation. Ce radiateur est chaud lorsqu'il est utilisé, pour éviter les brûlures, ne laissez pas la peau nue toucher les surfaces chaudes. Le cas échéant, utilisez les poignées lorsque vous déplacez ce radiateur.

AVERTISSEMENT : RISQUE D'INCENDIE

Le radiateur contient des pièces chaudes qui produisent des arcs électriques ou des étincelles. Ne pas utiliser à proximité de matériaux combustibles, de gaz inflammables ou de sources de chaleur. **NE PAS UTILISER** dans des zones où de l'essence, de la peinture ou des matériaux inflammables sont utilisés ou stockés. Gardez les matériaux combustibles tels que les meubles, les oreillers, la literie, les papiers, les vêtements et les rideaux à au moins 3 pieds (0,9 m) de l'avant du radiateur et éloignez-les des côtés et de l'arrière.

Éloignez la grille arrière des murs

ou des rideaux afin de ne pas bloquer l'entrée d'air. Pour éviter un éventuel incendie, ne bloquez en aucun cas les entrées ou les sorties d'air. Ne pas utiliser sur des surfaces molles, comme un lit, où les ouvertures pourraient être bloquées. N'insérez pas et ne laissez pas d'objets étrangers pénétrer dans les ouvertures de ventilation ou d'échappement car cela pourrait provoquer un choc électrique, un incendie ou endommager le radiateur.

AVERTISSEMENT : RISQUE DE CHOC ÉLECTRIQUE Ne pas utiliser avec un câblage endommagé. Utiliser avec un système électrique adéquat et conforme au code.

REMARQUE POUR LES PROPRIÉTAIRES D'ANIMAUX : La santé des oiseaux et de certains petits animaux de compagnie est extrêmement sensible aux fumées dégagées lors de la première utilisation de nombreux appareils. Bien que ces vapeurs ne soient pas nocives pour les humains, il est recommandé de ne pas utiliser ce radiateur à proximité d'oiseaux et de petits animaux domestiques lors de sa première utilisation jusqu'à ce que les revêtements anticorrosion de fabrication brûlent.

N'utilisez pas de radiateur avec un cordon ou une fiche endommagés ou après un dysfonctionnement du radiateur, il est tombé ou a été endommagé de quelque manière que ce soit. Ne faites pas fonctionner le radiateur avec un élément chauffant ou un cône en céramique cassé ou avec des imperfections visuelles.

UTILISATION PRÉVUE :

Les radiateurs électriques sont conçus pour répondre à une variété de besoins de chauffage. Ce produit est destiné à un usage intérieur uniquement. Utiliser uniquement avec un câblage électrique en bon état de fonctionnement et conforme aux codes et ordonnances applicables.

Si vous avez des questions quant à savoir si votre câblage est adéquat, consultez un électricien qualifié. Des risques d'incendie, de surchauffe, de dysfonctionnement, de dommages matériels, de blessures, voire de mort, peuvent survenir s'ils ne sont pas respectés.

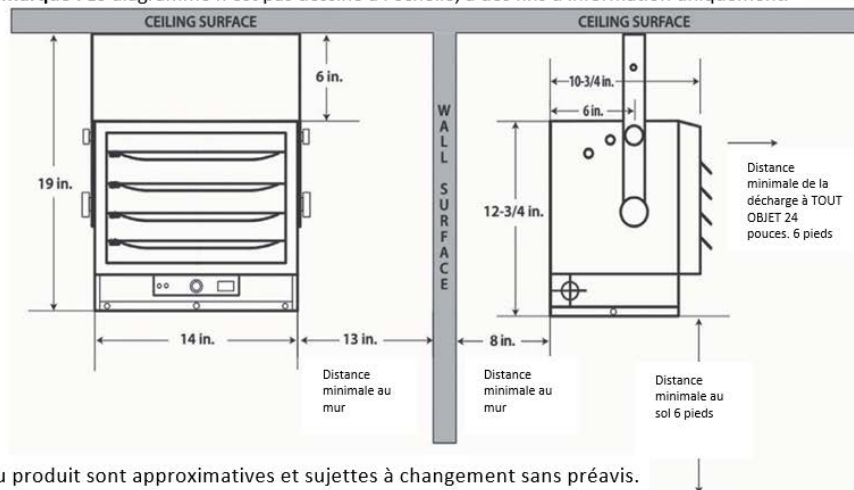
Utilisez votre radiateur-ventilateur uniquement avec un détecteur de fumée fonctionnel situé à proximité de votre radiateur-ventilateur. Lorsque vous utilisez votre radiateur-ventilateur, vous devez suivre les INSTRUCTIONS IMPORTANTES répertoriées ci-dessous. Dans le cadre de ces instructions, nous avons utilisé le mot « **AVERTISSEMENT** » pour indiquer le niveau de danger : **AVERTISSEMENT** indique un danger qui, s'il n'est pas évité, pourrait entraîner des blessures, voire la mort.

CARACTÉRISTIQUES:**CHAUFFAGE ÉLECTRIQUE UTILITAIRE ROBUSTE EWH5100 5 000 W**

WATTS	POSITION DU COMMUTEUR	VOLTS (VAC)	PHASE	AMPÈRES	BTU/HEURE
5 000 W	III	208-240 V, 60 Hz	1	20,8	17 060
4 000 W	II	208-240 V, 60 Hz	1	16,7	13 650
3 000 W	.	208-240 V, 60 Hz	1	12,5	10 240
N / A	FAN SEULEMENT	N / A	N / A	N / A	N / A
JET D'AIR	HORIZONTAL	18 PI (ENVIRON)			
DISJONCTEUR RECOMMANDÉ		30 AMPÈRES	ou plus grand, conformément au NEC et aux codes locaux.		
RECOMMANDÉ	TAILLE DE FIL	10 AWG, CUIVRE UNIQUEMENT ÉVALUÉ À 167°F/75°C	ou plus grand, câblé conformément aux codes NEC et locaux.		
COUPLES DE COSSÉS RECOMMANDÉS		35 PO-LBS	ou supérieur, conformément au NEC et aux codes locaux		
POIDS DU PRODUIT (APPROXIMATIF)		ENTRE 25 À 30 LBS			

POUR EWH5100

Remarque : Le diagramme n'est pas dessiné à l'échelle, à des fins d'information uniquement.

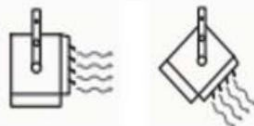
Figure 1

AVERTISSEMENT

POUR UTILISATION À L'INTÉRIEUR UNIQUEMENT, DANS UN ENDROIT SEC EXEMPT D'ESSENCE, DE PEINTURE, DE LIQUIDES INFLAMMABLES OU DE POUSSIÈRE OU MATÉRIAUX COMBUSTIBLES. N'UTILISEZ PAS DE RALLONGES.

HAUTEUR DE MONTAGE MAXIMALE À L'AIDE DU SUPPORT POUR :

FLUX D'AIR HORIZONTAL/ANGULAIRE :
LA HAUTEUR MAXIMALE DE PLAFOND RECOMMANDÉE
POUR UN FLUX D'AIR VERTICAL EFFICACE EST DE 8 PIEDS.



INSTALLATION DU CHAUFFAGE :

EMPLACEMENT DU CHAUFFAGE :

Installez le radiateur hors des zones de circulation, en respectant les dégagements indiqués dans **la figure 1** ci-dessus. Le flux d'air du radiateur ne doit pas être restreint ou obstrué par des objets présents dans la pièce. Lorsque plus d'un appareil de chauffage est utilisé dans une zone, les appareils de chauffage doivent être disposés de manière à ce que le débit d'air de chaque appareil de chauffage soutienne le flux d'air des autres afin d'assurer la meilleure circulation de l'air chaud, comme indiqué ci-dessous dans **la figure 3**.

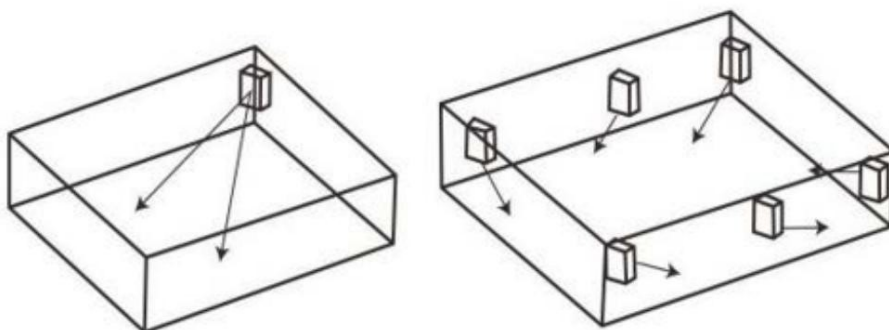


Figure 3

INSTALLATION DU SUPPORT DE MONTAGE

Reportez-vous aux **figures 4a et 4b**.

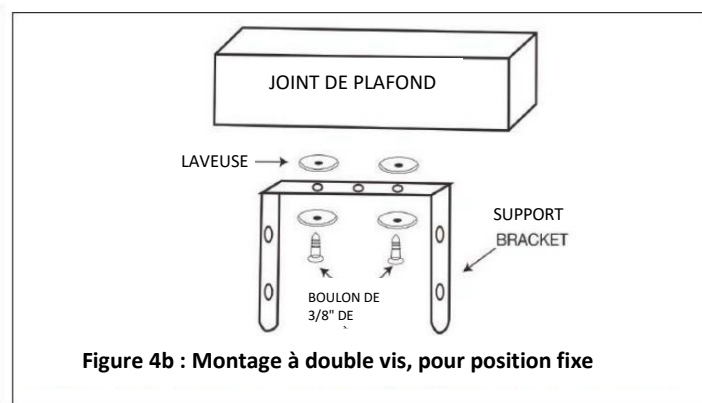
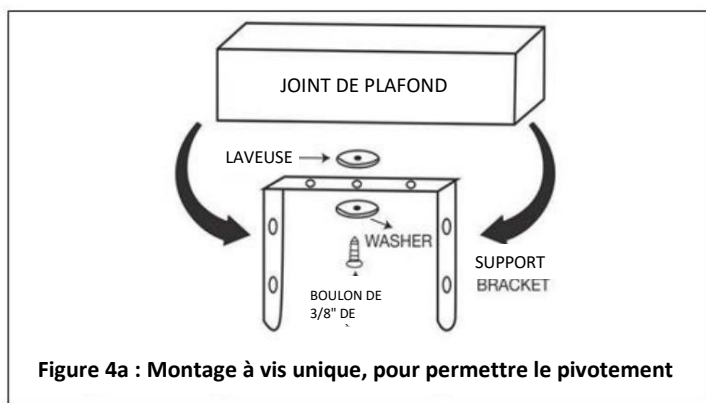
1. Localisez une solive de plafond ou un autre élément structurel ou support ferme pour monter le radiateur et pointer dans la direction souhaitée du flux d'air.
2. Percez un trou pilote de ¼" dans la solive de plafond pour la ou les vis.
3. Placez la ou les vis et les rondelles comme indiqué sur **les figures 4a ou 4b**.

Figure 4a : Pour un montage à vis unique (trou du support central uniquement).

(Si vous souhaitez faire pivoter le radiateur, un tire-fond plus long peut être nécessaire pour fixer correctement le radiateur, non inclus.

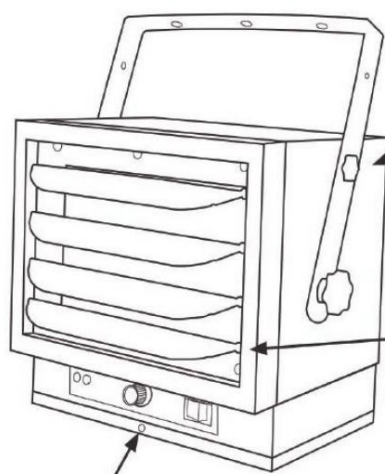
Figure 4b : Pour un montage à double vis (les deux trous décentrés sont utilisés).

4. Serrez les vis pour fixer le radiateur.



ACCROCHER LE CHAUFFAGE DANS LE SUPPORT

1. Soulevez le radiateur dans le support de montage et alignez les trous du support inférieur avec les filetages des trous.
2. Enfilez une grosse vis à bouton dans le trou de chaque côté du support.
3. Orientez le radiateur horizontalement ou incliné en alignant la partie supérieure des trous du support avec les trous filetés supérieurs du radiateur et fixez-les avec les petites vis à bouton et serrez le tout. Voir la figure 5.



Utilisez les fentes/trous supérieurs du support et les petites vis à bouton si le radiateur doit être incliné vers le bas.

Ajustez les persiennes vers le haut ou vers le bas pour contrôler le débit d'air.

Figure 5

Retirez les vis du panneau pour accéder à l'alimentation

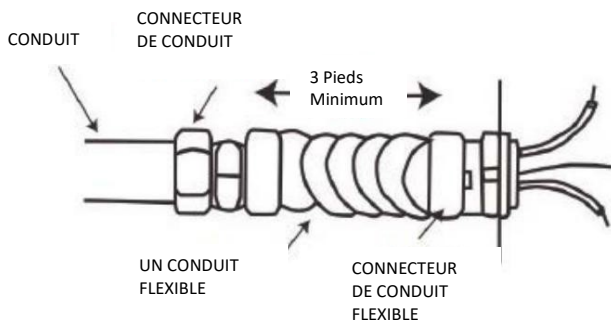
CONNEXION DE L'ALIMENTATION :

1. Le disjoncteur étant hors tension, retirez toutes les vis du couvercle inférieur pour accéder à la partie électrique du radiateur.
2. Fixez le câble flexible à travers une découpe sur le côté du radiateur conformément aux normes NEC et locales, codes, voir la figure 6 et les SPÉCIFICATIONS pour le câblage et les disjoncteurs recommandés.

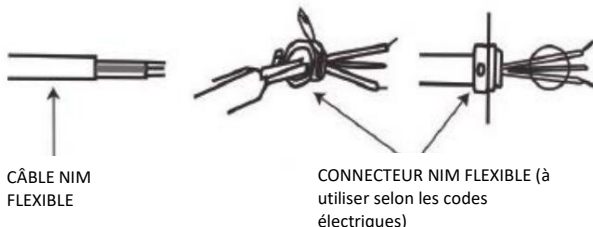
REMARQUE : Pour certaines applications, un conduit peut être nécessaire (voir Figure 6). Vérifiez les codes électriques locaux.

Si vous faites passer le câblage dans un conduit et souhaitez pouvoir allumer le radiateur, assurez-vous de acheter suffisamment de conduit flexible pour permettre au radiateur d'être allumé.

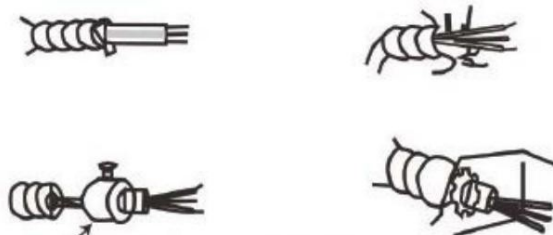
Si le radiateur doit être allumé et que le fil est à l'intérieur de l'unité



Si le radiateur doit être connecté avec un câble NM



Si le radiateur doit être connecté à un conduit flexible.



CONNECTEUR DE CONDUIT FLEXIBLE (utiliser les codes électriques du secteur)

Figure 6

3. Tirez suffisamment de fil dans le radiateur et connecter au fil du bloc d'alimentation situé dans la zone électrique de radiateur, voir la figure 7.
4. Assurez-vous de serrer toutes les vis des bornes et les cosses du bloc d'alimentation sont bien serrées, voir **SPÉCIFICATIONS** et **NEC/codes locaux**, pour les valeurs de couple requises, ne pas le faire peut surchauffer le blocs de puissance.
5. Mettez sous tension le circuit principal panneau de disjoncteurs. Remarquez le JAUNE Voyant d'alimentation sur la commande Le panneau brillera.

AVERTISSEMENT : Il est conseillé qu'au début de chaque saison de chauffage, l'alimentation soit coupée au niveau du disjoncteur et du L1.

& L2 Les vis du bouchon ont été vérifiées pour leur serrage et leur couple approprié. Le radiateur doit être nettoyé et vérifié pour son intégrité mécanique et électrique. Voir SPÉCIFICATIONS et codes locaux NEC.

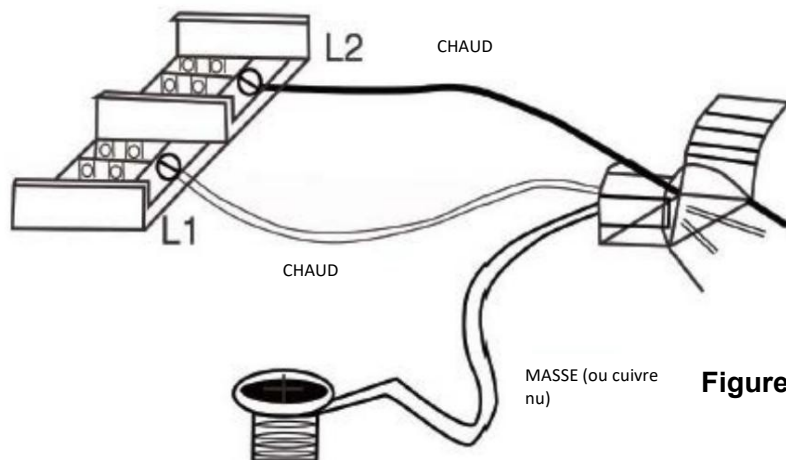
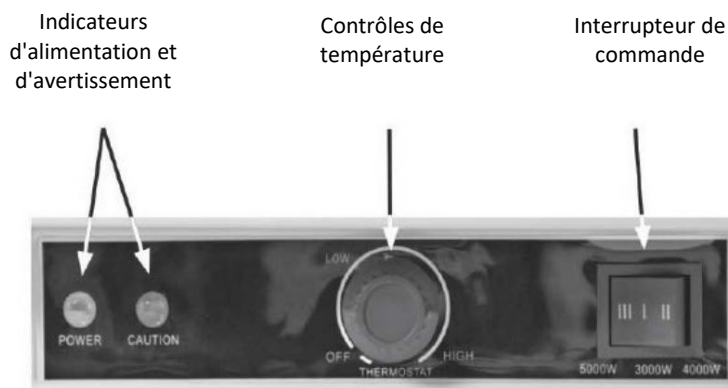


Figure 7

Modèle de série : Chauffage électrique utilitaire robuste EWH5100 de 5 000 W

Figure 2



Détail du panneau de commande (agrandi pour plus de clarté)

VOYANT INDICATEUR DE PUISSANCE :

Une fois installé et le disjoncteur allumé, le voyant d'alimentation JAUNE s'allumera.

Ce voyant reste allumé tant que le disjoncteur est sous tension, même lorsque le chauffage est éteint.

RÉGLAGE DU THERMOSTAT :

Appuyez continuellement sur le bouton TIMER jusqu'à ce que l'écran LED affiche « O ».

À partir de « OFF », tournez le bouton dans le sens des aiguilles d'une montre jusqu'à une position plus élevée. Sélectionnez le niveau de puissance souhaité (I, II ou III) au niveau de l'interrupteur de commande.

Une fois que la pièce atteint le niveau de confort souhaité, tournez le bouton du thermostat dans le sens inverse. dans le sens des aiguilles d'une montre jusqu'à ce qu'il s'enclenche.

VOYANT D'ATTENTION :

Le radiateur est équipé d'un interrupteur thermique. En cas de surchauffe, cet interrupteur éteindra le chauffage.

Une fois que cela se produit, le voyant d'avertissement ROUGE s'allumera, indiquant une condition de surchauffe.

Éteignez le chauffage. Coupez l'alimentation au niveau du disjoncteur et laissez le radiateur refroidir.

Déterminez la cause de la situation de surchauffe et corrigez-la. Une fois refroidi, rétablissez l'alimentation du radiateur au niveau du disjoncteur et reprenez le fonctionnement du radiateur.

REMARQUE : Le chauffage s'allumera et s'éteindra pour maintenir la température ambiante.

La première fois que vous utilisez l'appareil, il peut dégager une légère fumée. Cela est dû aux produits de nettoyage résiduels utilisés pour nettoyer l'élément lors de la fabrication du radiateur. Ceci est normal et n'indique pas un problème avec l'appareil. Cette condition cessera après quelques minutes de fonctionnement du radiateur.

RÉGLAGE DU DÉBIT D'AIR :

1. Faites pivoter l'appareil. S'il est monté sur un seul tire-fond central Figure 4a, tournez l'ensemble du radiateur et du support. montage à gauche ou à droite.
2. Inclinez l' appareil - desserrez les petites vis à bouton supérieures et vissez-les dans les trous prévus dans le radiateur jusqu'à ce qu'elles soient serrées.
3. Ajustez les persiennes devant le radiateur comme vous le souhaitez. Voir la figure 5.

CONSIGNES DE SÉCURITÉ:

Pour démarrer le chauffage, activez le disjoncteur. Le voyant d'alimentation s'allumera pour indiquer que de l'énergie est disponible. Appuyez sur le bouton POWER pour allumer le chauffage. Le chauffage sera en réglage ÉLEVÉ par défaut. L'indicateur de chauffage s'allumera et l'écran LED affichera la température de réglage par défaut de 80 °F.

1. Le radiateur est CHAUD lorsqu'il est utilisé. Ne laissez pas la peau nue toucher des surfaces chaudes.
2. Gardez les matériaux combustibles (meubles, oreillers, literie, papiers, vêtements, rideaux et similaires) articles) à au moins 3 pieds (0,9 m) de tous les côtés et surfaces du radiateur.
3. Ne pas utiliser à l'extérieur ou dans des zones humides comme les salles de bains, les buanderies ou là où il pourrait tomber dans un piscine ou autre récipient d'eau.
4. Ce radiateur est un appareil câblé directement de 240 V CA. N'utilisez jamais de rallonges ou de rallongesprises électriques.

SOINS ET ENTRETIEN : NETTOYAGE DU CHAUFFAGE

1. Ne démontez pas le radiateur pour le nettoyer.
2. Le radiateur doit être éteint et débranché de l'alimentation électrique au niveau du disjoncteur avant essayer de nettoyer une partie du radiateur.
L'extérieur peut être nettoyé avec un chiffon, une brosse et/ou un aspirateur.
3. Les persiennes, les pales du ventilateur et l'élément chauffant sont délicats et ne doivent pas entrer en contact avec des objets durs.
4. Ils peut être nettoyé à la brosse, à l'aspirateur et à l'air comprimé doux.

ELECTRIC garantie de l'appareil

GARANTIE LIMITÉE:

Une garantie limitée est remise à l'acheteur original de ce poêle et le couvre contre le dysfonctionnement lié aux défauts de fabrication pendant une période d'un (1) an à compter de la date d'achat du produit. **Pour enregistrer votre produit, veuillez visiter www.worldmkting.com**

PROCÉDURE DE REVENDICATION:

- **NE PAS RENVOYER LE PRODUIT À L'ENDROIT D'ACHAT**
- Contactez notre Service Client au 1-800-776-9425. Se munir du numéro du modèle, du numéro de série et de la date d'achat.
- Ils vous fourniront de plus amples informations, concernant par exemple le remplacement de pièces, la réparation ou le remplacement du poêle si nécessaire.

**APPELEZ LE 1-800-776-9425 (9h00-18h00 LUN.-VEN.)
ou ENVOYEZ UN EMAIL À info@worldmkting.com**

DEVOIRS DU PROPRIÉTAIRE:

Cet appareil de chauffage doit fonctionner en accord avec les instructions fournies avec le poêle. Cette garantie ne doit pas dissuader le propriétaire d'un entretien correct du poêle en accord avec les instructions écrites fournies avec ce poêle. Une facture de paiement, un chèque annulé ou un reçu de paiement doivent être conservés afin de pouvoir vérifier la date d'achat et établir une période de garantie. Le carton original doit être conservé en cas de retour d'article dans le cadre de la garantie.

CE QUI N'EST PAS COUVERT:

1. Dommages causés par une mauvaise utilisation ou une utilisation contraire au manuel de l'utilisateur et aux consignes de sécurité.
2. Dommage causés par un manque d'entretien.
3. Réparation effectuée par une personne non-compétente.
4. Dommage causé par le branchement sur un mauvais voltage.
5. Dommage causé par une utilisation en extérieur.

RESTRICTIONS:

Cette garantie n'implique ni ne suppose aucune responsabilité pour les dommages collatéraux pouvant résulter de l'utilisation, de la mauvaise utilisation, ou du manque d'entretien régulier de cet appareil de chauffage. Un frais d'entretien ainsi que le coût des pièces peuvent être facturés pour les défauts de fonctionnement de l'appareil résultant du manque d'entretien. Cette garantie ne couvre pas les revendications, qui n'incluent pas une qualité de travail défectueuse ni les matériaux. LE REFUS D'ENTRETIEN GÉNÉRAL (NETTOYAGE INCLUS) ANNULERA LA GARANTIE.

CETTE GARANTIE LIMITÉE EST ACCORDÉE À L'ACHETEUR EN GUISE DE TOUTE AUTRE GARANTIE, EXPRIMÉE OU IMPLICITE, INCLUANT MAIS NON-LIMITÉES À LA GARANTIE DE CONFORMITÉ, D'UTILISATION, D'APTITUDE À UN USAGE PARTICULIER ET DE NON-CONTREFAÇON. LA SOLUTION FOURNIE PAR CETTE GARANTIE EST EXCLUSIVE ET EST CONFÉRÉE EN GUISE DE TOUT AUTRE SOLUTION. EN AUCUN CAS LE MONDE DU MARKETING D'AMÉRIQUE NE SERA RESPONSABLE DES DOMMAGES CIRCONSTANCIELS OU COLLATÉRAUX.

Certains états n'autorisent aucune limitation quant à la durée d'une garantie implicite. Dans ce cas, la limitation ci-dessus ne s'appliquera pas. Certains états n'autorisent pas l'exclusion ou la limitation de dommages circonstanciels ou collatéraux. Dans ce cas, l'exclusion ou la limitation ci-dessus ne s'appliquera pas.

Pour information, attachez vos recus d'achat à ce manuel et annotez les informations suivantes

DATE D'ACHAT: _____

LIEU D'ACHAT: _____

NUMÉRO DE SÉRIE: _____

NUMÉRO DU MODÈLE: _____